

MaxVenturi®

SENSING

ANALYSIS

DELIVERY

"Mix ambient air and oxygen"



MAXVENTURI OVERVIEW

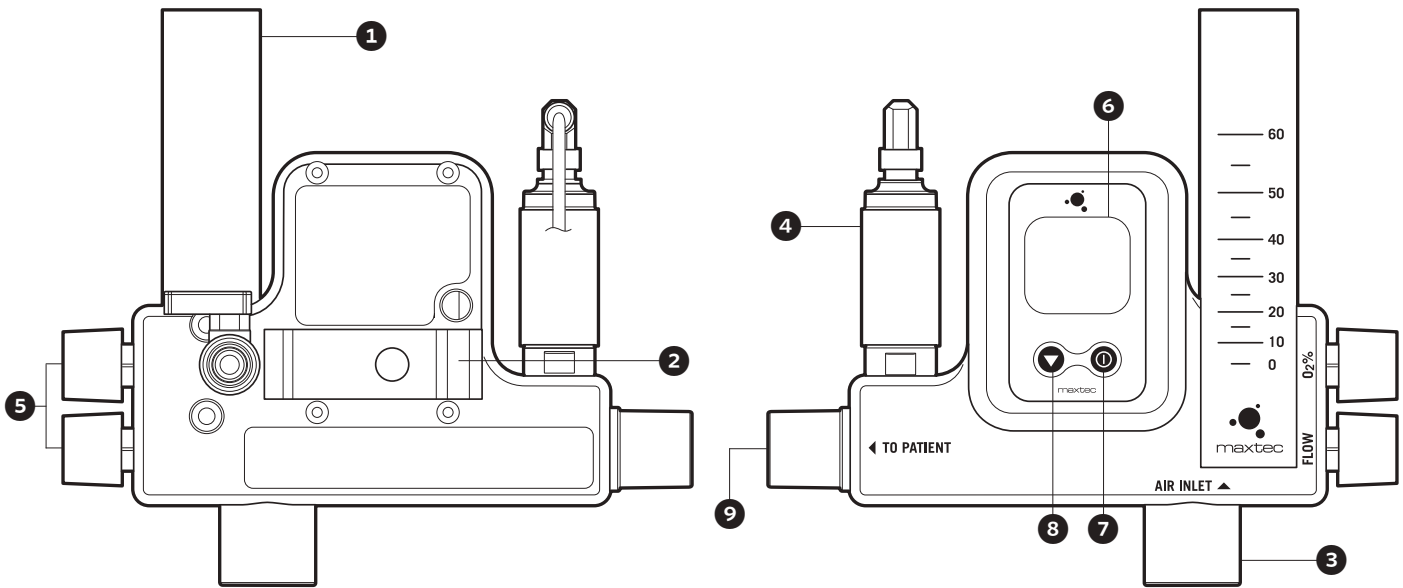
The **MaxVenturi** has been specifically designed to interface with high-flow humidification systems. Using the well-established Venturi principle, this unit allows users to mix ambient air and oxygen without the need for piped medical-grade air. This is the perfect solution for adult high-flow oxygen therapy in almost any environment.

PART NUMBERS

- w/ Pole Mount (DISS) R211P03-020
- w/ Pole Mount (NIST) R211P03-021
- w/ Locking Pole Mount (DISS) R211P03-022
- w/ Locking Pole Mount (NIST) R211P03-023

INTERNATIONAL

- w/ Pole Mount (DISS) R211P03-024
- w/ Pole Mount (NIST) R211P03-025
- w/ Locking Pole Mount (DISS) R211P03-026
- w/ Locking Pole Mount (NIST) R211P03-027



1. Flow Meter

Independent adjustable O₂% and flow

2. Built-in Pole Clamp

For easy transport or storage

3. Room Air Inlet

No need for piped medical air

4. MAX-250E Sensor

Long-life sensor

5. Flow Control Valves

Air/O₂ control valves

6. Built-in Analyzer

Displays accurate O₂ measurements

7. On/Off Button

One-touch on and off power

8. One-Touch Calibration

Auto cal. to room air or 100% oxygen

9. Delivered Gas Outlet

For high-flow system interface

Specifications

Measurement Range	0 to 100%
Display Resolution	0.10%
Accuracy and Linearity when	1% of full scale at constant temperature, relative humidity, and pressure calibrated at full-scale
Total Accuracy	±3% actual oxygen level over full operating temperature range
Response Time	90% of final value in approximately 15 seconds at 23 °C
Warm-up Time	None required
Operating Temperature	15 °C to 40 °C (59 °F to 104 °F)
Storage Temperature	-15 °C to 50 °C (5 °F to 122 °F)
Atmospheric Pressure	800 to 1013 mBars
Humidity	0 to 95% (non-condensing)
Power Requirements	Two (2) AA alkaline batteries (2 x 1.5 volts)
Battery Life	Approximately 5,000 hours with continuous use
Low Battery Indication	Battery icon displayed on LCD
Sensor Type	Maxtec MAX-250 Series galvanic fuel cell
Expected Sensor Life	MAX-250E > 1,500,000 O ₂ percent hours minimum (around two years with standard medical usage)
Dimensions	7.3" x 6.6" x 5.3" (185 mm x 167 mm x 135 mm)
Weight	2.54 lbs (1152 grams)
Drift of Measurement	< +/-1% of full scale at constant temperature, pressure, and humidity